



Vision VENT

Technical documentation

INTRODUCTION

INTRODUCTION.....	2
1. Contact.....	2
2. Use and description of the hood function	2
3. Improper use of this appliance	2
4. Important notices.....	2
5. How to use this Manual	3
6. Binding regulations	3
7. Limited.....	3
SAFETY INSTRUCTION.....	5
1. General safety data.....	5
2. Operating personnel designation.....	5
3. Perfect condition	5
4. Safety rules for work with the RETIGO Company products.....	5
TECHNICAL DATA.....	6
TRANSPORT AND INSTALLATION.....	7
1. Appliance transportation	7
2. Waste disposal	7
3. The Appliance installation	7
4. Eletrical connections of the air condensation hood	8
5. The hood set-up and control	10
MAINTANCE AND CLEANING.....	12

INTRODUCTION

The RETIGO Company is very grateful to you for your decision to use our equipment. Your newly acquired appliance represents rare fusion of long-term experience of our best chefs, latest scientific developments and advantages of modern technology. To make sure you will be happy with the performance of our appliance from the very beginning, we would like to offer additional information and some advice for problem – free operation.

The RETIGO Company guarantees perfect functioning and high quality service. Therefore we are offering:

- The Warranty guarantees 12 months of trouble-free operation of the appliance. If you meet the sales conditions, Warranty extends to 24 months; please see the current price list.
- Spare parts delivered quickly on demand
- Technical and consulting service tied to service and maintenance
- Professional consulting service by our professional chefs

We wish you a lot of satisfaction working with the RETIGO appliances and a lot of happy customers.

1. Contact

Should you have any questions, we are available at the following phone numbers and addresses:

Address:

Retigo, s.r.o.

Láň 2310, PB 43

CZ 756 64 Rožnov pod Radhoštěm

Tel./Fax: +420 571 652 434

Our professional salespeople are ready to help you at this telephone Hot-line:

+420 603 571 360, +420 604 568 562

Our professional cooks are ready to help you at this telephone Hot-line:

+420 603 854 372, +420 603 308 461

Our professional service technicians are ready to help you at this telephone Hot-line:

+420 605 769 916, +420 603 895 191

E-mail: info@retigo.cz

www.retigo.cz

2. Use and description of the hood

The RETIGO hoods are designed for extraction and condensation of vapors emanating from the Vision models of the RETIGO combi steamers. They are controlled by the combi steamer's electronics.

After the combi steamer door is shut and preparation of food is triggered, the temperature inside the cooking chamber is carefully monitored. If this temperature exceeds the temperature necessary for the hood activation, extracting will be triggered at the lowest level. If – during or after food preparation – the combi steamer's door opens, the appliance will automatically switch to a higher level of vapor extraction in order to achieve higher vapor suction. After the door is shut again, the output of the hood will decrease back to its original level. The hood will be completely turned off once the cooking chamber temperature drops back below the activation level.

This hood holds relevant EU Certificate of Conformity.

3. Improper use of this appliance

Other than the above specified use of the appliance shall be considered irregular and harmful. The RETIGO Company bears no responsibility for any damages, which may result from such action. In such a case, all the risk is carried solely by the user!

4. Important notices

- This appliance is not designed for use by people, whose physical, sensory or mental abilities or lack of experience or training prevents them from safe use of this device, unless they are properly supervised and unless they were properly instructed by a person responsible for their safety. At no time are children allowed to operate or touch this machine.
- By carefully studying the User's Manual you will gain important knowledge regarding the design, control and safe operation of this appliance.
- After unpacking, please make sure all the parts have been delivered. The delivery contains: hood, 3 pieces

of grease filters, UTP cable 0.5 m, two-way adaptor RJ 45, sheet metal cover batten (for installation of the hood on a combi steamers with left door opening), and technical documentation.

- Make sure the appliance type meets its required conditions.
- Installation may be performed only by a professional, who carries a valid license for such operation.
- All connections must meet current regulations, norms and the User's manual.
- Adjustments and the initial operation start-up must be done by a service technician certified by the manufacturer. The list of such license carrying companies is available at our website **www.retigo.cz**.
- Improper or faulty connections may cause damages, which are outside the manufacturer's responsibility.
- It is absolutely necessary to obey all rules and regulations during maintenance and cleaning.
- In case of a break-down, please contact your salesperson or service partner or one of the companies listed at our internet pages: www.retigo.cz.

Unprofessional repair attempts may damage the appliance!

- In order to assure proper function, safety and a long-term problem-free operation we recommend to have your appliance checked at least once a year by one of our partner service firms. This way you also secure your investment.
- When you finish working with the appliance, please turn off the electric supply.
- Only original parts may be used for repairing the appliance.
- Malfunctions caused by unprofessional installation, failure to adhere to norms, regulations or the User's manual during installation or during operation are not responsibility of the manufacturer and all such actions will void the warranty.
- This appliance is designed for professional use only and must be operated solely by qualified and trained personnel.

5. How to use this Manual

Please, read carefully the User's operating and service manual. Please follow these instructions during operation, cleaning and maintenance. If any steps of the process are unclear to you, seek additional information from your dealer or the manufacturer.

5.1 Used symbols

The symbols we use are designed to signal activities, which may affect your safety or health. They also

attempt to help you with preventive checks. The good advice symbol's role is to make your work easier.



Damage Prevention

This symbol informs you, how to handle the appliance and its accessories. Improper handling may cause damage to the appliance.



Friendly advice

This symbol signals no danger. You should, however, pay attention to it, because it can make your work easier and also help you to avoid mistakes.

6. Binding Regulations

Generally valid and applicable legal regulations and other binding rules for accident prevention and environmental protection are not listed here individually, but must be adhered to strictly. Some of those are listed here:

- IEC 60335-1:2001 + A1:2004 + A2:2006, IEC 60335-2-42:2002, EN 60335-1:2002 + A11:2004 + A1:2004 + A12:2006 + A2:2006, ČSN/EN 60335-2-99
- ČSN EN 60335-2-42 ed. 3:2003, ČSN EN 61000-6-2nd ed. 3:2006, EN 61000-6-2:2005, ČSN EN 61000-6-4 edition 2:2007, EN 61000-6-4:2007
- Law 22/1997 Sb., government regulation NV 17/2003 Sb., and 616/2006 Coll.
- European Council Directive: 2006/95/EC and 2004/108/EC.

This hood holds relevant EU Certificate of Conformity.

7. Limited warranty

All technical information, data, operation and service instructions in this User's Manual reflect the latest state of knowledge at the shipping time and were created with our utmost care to help you the best we can according to our experience. However, because of an ongoing research and development, we reserve the right to make technical alterations and changes concerning this appliance. Therefore we bear no responsibility for damages and break-downs caused by improper operation, failure to follow this User's manual, use of aggressive chemical cleaning agents and improperly performed repairs. We do especially emphasize that this covers spare parts both delivered by our Company or spare parts not tested or approved by our Company.

Any reconstructions or alterations of the device done by you are for safety reasons not allowed and will remove all responsibility for consequent damages from the RETIGO Company. Accidental mistakes or omissions are covered within the contractual warranty obligations, negotiated in the contract when eliminating all further claims.

Any claims for damages, no matter the legal reason applied, are not possible.

SAFETY INSTRUCTION

1. General safety data

This documentation contains required information for adequate use of the above described appliance. Knowledge and application of all safety instructions and warnings provided by this Manual represent the basis for safe activation of the appliance as well as for safe operation and service of the appliance.

This documentations, however, does not contain, for clarity reasons, all possible details for every version of the product and cannot include every imaginable situation to be considered and anticipated during operation and service. Should you require any further information or should you experience problems not sufficiently described in our Manual, please obtain such information from your dealer or manufacturer by mail or by phone.

2. Operating personnel designation

Designate a specific person, who will operate the appliance and train him or her. This device is designed for professional use only and must be operated solely by qualified and properly trained personnel.

3. Perfect Condition

Operate this appliance only while it is in a perfect condition. Do not remove any safety features such as covers etc. Do not make any alterations.

4. Safety rules for work with the RETIGO Company products

To assure safe work with this appliance, please adhere to the following safety precautions. This way you will prevent damage to your health.

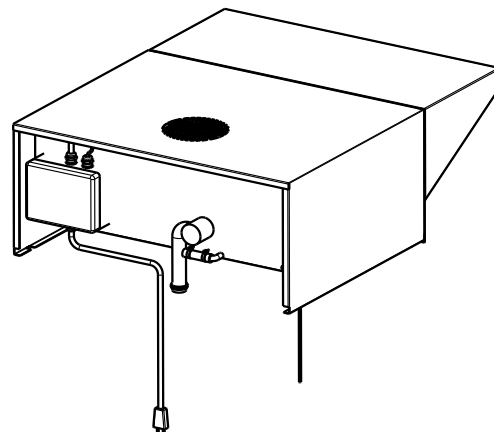
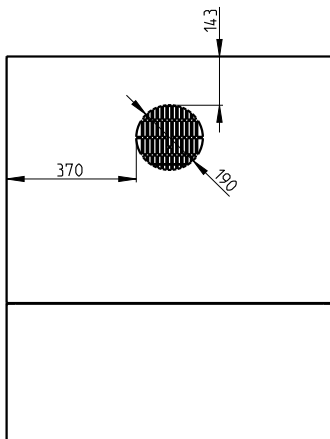
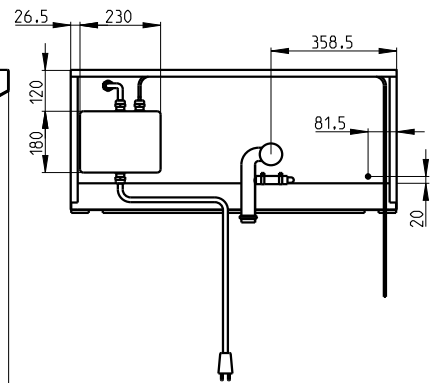
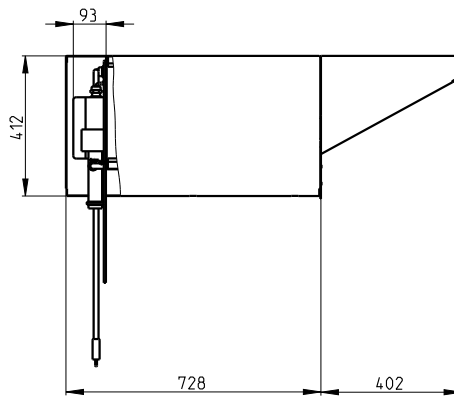
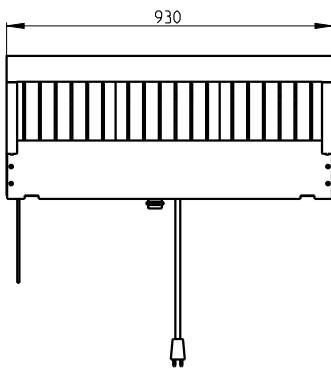
Do not use aggressive and highly alkaline cleaning agents.

Damage caused by improper cleaning is not covered by the warranty. Please read the cleaning agents safety instruction labels carefully. Do not use pressure cleaning or water sprays to clean the inside or outside of your appliance.

TECHNICAL DATA

Basic technical parameters

Weight: 60 kg
 Dimensions (d x w x h): 1130 x 930 x 412 mm
 Noise - min./max.: 63 dB/ 68 dB
 Airflow max: 1000 m³/ h
 Input max: 400 W
 Required voltage: 1NN/ 200V-230V/ 50-60 Hz
 2N/ 200V-230V/ 50-60 Hz



TRANSPORT AND INSTALLATION

1. Appliance Transportation

1.1 Appliance Transportation Instructions

When transporting this appliance, utmost care must be exercised. Make sure that the product is not damaged in any way.

When Receiving the Appliance:

- a) Immediately after delivery, check the number of parts according to the accompanying documents (bill of lading, the invoice, transportation documents).
- b) Check the state of packaging and the appliance.

In case of damage, please follow these steps:

- Immediately request a Damage Report, which will describe the extent of damages.
- Make detailed photos of the damage.
- If the damage seems to be more than 10 000 CZK, we recommend you consult a liquidator.
- Have the Damage Report certified by the driver, by the transportation company or by an airport employee.



Packaging does not protect the appliance from impact or from contact with sharp or blunt objects.



After unpacking, please make sure it contains all parts listed in the invoice.

2. Waste Disposal

The Retigo Corporation is entitled to use the Green point trademark in accordance with Law 477/2001 Coll., (94/62/ES), which means the cost associated with liquidation of the packaging materials are included in the product price. According to Law 185/2001 Coll., article 10 regarding waste, you should follow these steps:

2.1 Liquidation of packaging

Sell the cartons to a waste disposal center. Put the protective foil and the polystyrene skeleton into waste containers marked for plastics.

2.2 Liquidation after useful life expiration

Please deposit the sheet metal parts to a waste disposal centre for proper liquidation.

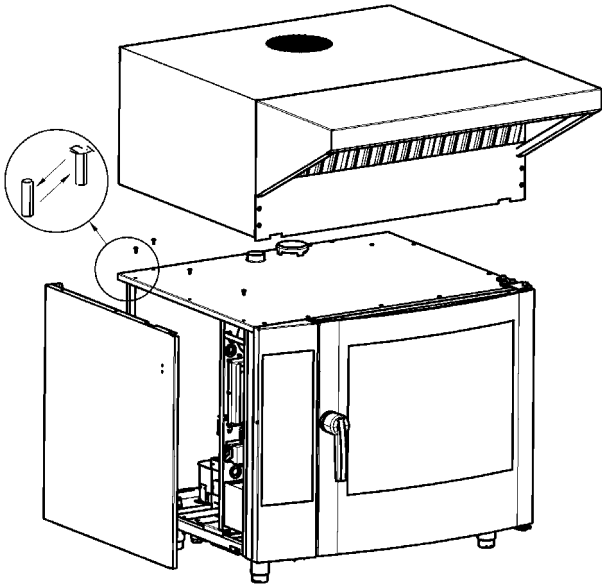
3. The Appliance Installation

3.1 Preparation for the Appliance Installation

- Before you start the hood installation, please disconnect the combi steamer from the electric supply.
- Installation of the hood must be performed in accordance with all relevant rules and norms valid in your particular country.
- The hood will work properly only when installed on a combi steamer with the following software versions or higher:
 - Blue Vision - 17.1.1
 - Orange Vision - 7.12
- Unpack the hood from the delivery cartons and remove the protective foil.
- The hood is manufactured for a combi steamer with the door, which opens to the right. In case you mount the hood on a combi steamer that opens to the left, you must replace the front hood cover. This cover is included in your delivery package.

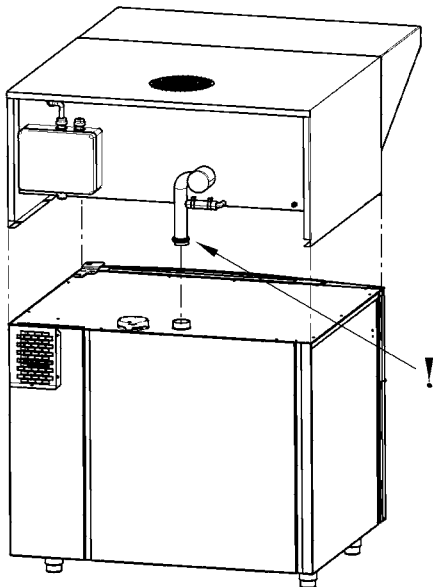
3.2 Placement of the Appliance on the Combi Steamer

- Remove the side covers from the combi steamer which will receive the hood. Unscrew the safety screws with a screw driver and a wrench Nr. 8 and replace the pins (see picture I).
 - Place the hood on the combi steamer. Make sure you correctly match the hood inlet (a pipe in the rear part of the hood) to the combi steamer little chimney - see picture II. Since the air condensation hood is quite heavy (60 kg), make sure you have enough people present for this task.
 - Place the grease filters to the inlet opening in the front part of the hood, these filters were delivered as part of your package. Start with the two side filters - picture III, as depicted in picture 1 (they are marked with edging) and then place the middle filter between them.



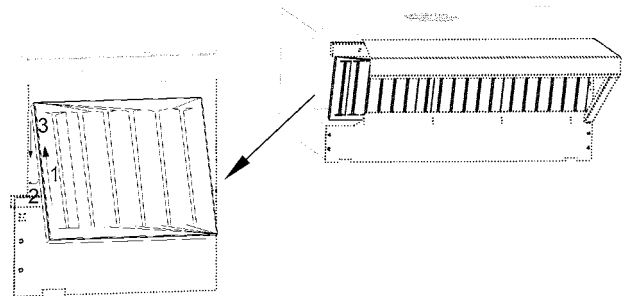
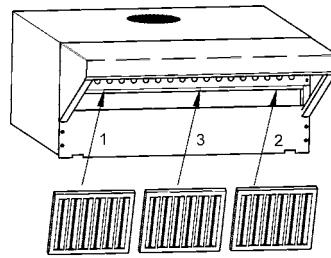
Picture I – Use this pins instead of screws

- Place the hood on the combi steamer. Make sure you correctly match the hood inlet (a pipe in the rear part of the hood) to the combi steamer little chimney – see picture II. Since the hood is quite heavy (60 kg), make sure you have enough workers present for this task.



Picture II – Placing the hood on the combi steamer

- Place the grease filters into the intake opening in the front part of the hood; these filters were delivered as part of your package. Start with the two side filters, as shown in picture III. (they are marked with edging) and then place the middle filter between them.



Picture III - Grease filters installation

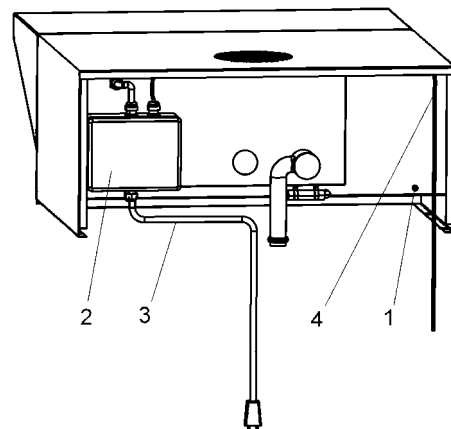
3.3 Check the installation location



Make sure that the electrical power supply meets the parameters listed on the manufacturer's label. This will prevent possible installation complications.

4. Electrical connections of the hood

- At the back side of the hood - picture IV you will find the M6 screw (for protective coupling) - position 1 and a distributor pos. 2, which contains the electronic controls. One supply cable (3 x 1.5 mm²) – position 3 and one control cable (UTP) – pos. 4 exit the distributor.



Picture IV – View of the back side of the hood



The hood connections to the electric supply must be done by a qualified professional only.

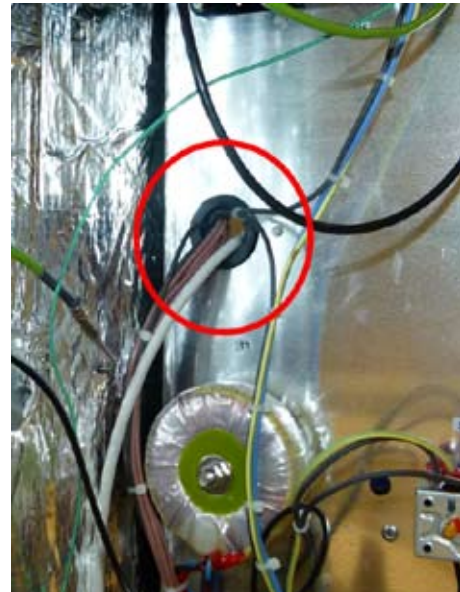


Pict. 1 - Serial bus connector RS 485 at the power supply



Pict. 2 - Two-way adaptor RJ 45

- At the side of the power supply plate you will see the series RS 485 serial bus connector. This connector is designed for communication between the hood and the combi steamer, or with a frequency converter (as seen in picture Nr. 3.)



Pict. 3 - The bushing in the power panel

Connecting the UTP cable

- Run the control UTP cable from the hood towards the combi steamer's base.
- In the base, near the supply cable opening, you will find capped holes. Break one of them and to this space insert the cable grommet attached to the UTP cable. (See picture Nr. 4.)
- In the combi steamer power panel, there is a rubber opening near the power source plate. Run the cable through this opening to the power source plate, as seen on pictures Nr. 1 and Nr. 2.



Pict. 4 - The opening for mounting of the UTP cable and its housing

Connection to the Orange Combi Steamer:

Connect the hood control panel to the RS 485 serial bus connector.

Connection to the Blue Combi Steamer:

Disconnect the RS 485 serial bus connector communication cable from the frequency converter and plug it into the two-way splitter RJ 45 - (delivered as part of the package) together with the air condensation hood control cable. Now connect the two-way splitter RJ 45 (See picture 2) with both cables to the RS 485 serial bus connector with the UTP 0.5 m cable. (See picture 1.)

Supply Cable Connection

- The hood must be connected only to a standard electrical grid, which meets the parameters listed on the hood manufacturer’s label.
- The hood must be protected by a fuse of max. 16A.
- The screw marked M6, which is located at the back side of the hood, is designed for protected connections. Connect it to a suitable lead and perform protected coupling.

5. The hood set-up and control

- In order for the hood to work properly, it is necessary to allow communication between the hood and the combi steamer in the combi steamer’s service menu.

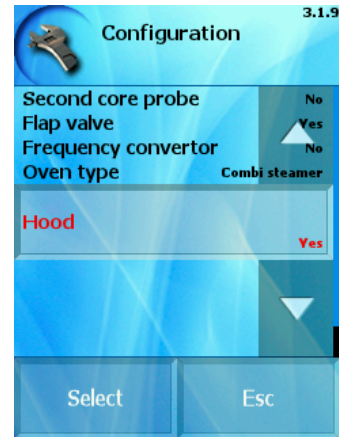
Setting the hood on the combi steamer’s control panel:

Blue:

Select „Service“ at the combi steamer display, then choose PIN, click OK, in the service menu select the item “Configuration”, then select the option “Hood”. Select Yes and confirm with OK.



After returning to the main menu by repeatedly pushing the “Return” button, the set-up is finished.



Orange:

By pushing the “Extras” button, you will enter the special combi steamer functions section. Select option Nr. 8 “Service” with the up and down arrows and confirm your choice by pushing the “Magic” button. In the service menu, select Nr. 8.1 „Configuration” with the arrows and again confirm by pushing the “Magic” button. Use the arrows to select „Hood”, confirm by „Magic” button, use the arrows to select „Yes” and confirm by „Magic” button. The combi steamer set-up is finished. Now push the “Extras” button 4 times to return to the main menu.



After following the above described steps, the hood will function properly. Should that not be the case, the combi steamer display will show an error message. The message code enables you to recognize the nature of the problem. Problems associated with the hood are marked with a code ending with the digit 5 following a decimal point (XX.5).

LIST OF THE COMBI STEAMER ERROR MESSAGES ASSOCIATED WITH THE HOOD

When Error code appears	Possible cause of problem	Solution of the problem
Err 62.5	Error or interruption in the data communication between the hood and the combi steamer. Power supply interruption.	Check the data hood communication cable and its correct connection. Make sure the air condensation hood is plugged into the power supply.
Err 63.5, 64.5, 65.5, 66.5, 70.5, 71.5, 72.5, 73.5 Data communications error	Error or interference of data communication between the hood and the combi steamer.	Make sure there is not a source of interference in the vicinity of the combi steamer (such as other electrical device or equipment). Turn the hood and the combi steamer off and back on. If the error message keeps appearing, call authorized service.

MAINTENANCE AND CLEANING



Maintenance and cleaning must be performed by qualified personnel only. Maintenance and cleaning of the heat exchanger should be done when decrease of performance occurs, but at least once a year. The grease filters can be cleaned in a dishwashing machine.

Disconnect the hood from power supply and let it cool down before you start cleaning.

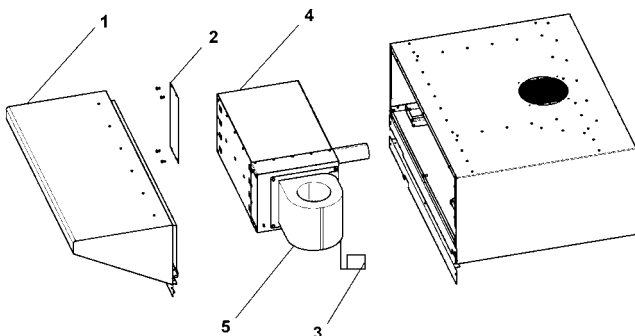
The cleaning steps:

- Remove the hood from the combi steamer (see picture V.) a place it on a suitable working table.
- Remove the grease filters.

- There are 12 M5 screws on the front side of the steam trap. Unscrew these screws with a screw driver and remove the steam trap from the hood – position 1.

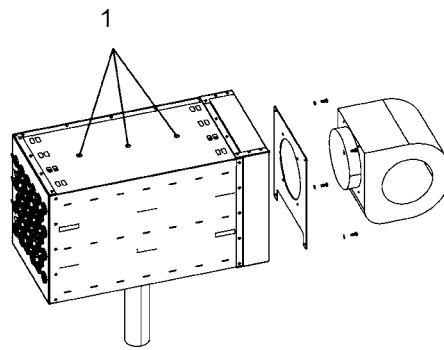
- Unscrew the safety plate and the dividing partition – position 2.
- Disconnect the motor power cable connector – pos. 3.
- Remove the heat exchanger – pos. 4 together with the motor – pos. 5.
- Remove the metal sheet plate with the motor from the exchanger.

The hood description:



Picture V:
 1 - Vapor drap
 2 - Division partition
 3 - Connector
 4 - Heat exchanger
 5 - Motor

The RETIGO Company recommends regular cleaning and maintenance of the appliance by a authorized service company. Excessive wear and tear and possible damage to the appliance can be prevented only by regular checks of the device and its cleaning. Preventive service check must be performed after one year of usage.



Picture VI:
 1 - Service openings

Wash all the washable parts (grease filters, steam trap, division partition) and the inside of the hood with warm water mixed with detergent. Place the heat exchanger to the position depicted in picture II. Insert detergent into the exchanger through the three designated openings (see picture 5.) and leave it there for 15 minutes. After that, rinse the exchanger with hot water. Repeat this procedure until the exchanger is clean.



Picture 5 - Service openings

Let all the parts dry and then reassemble them.



RETIGO Ltd.
Láň 2310, PS 43
756 64 Rožnov pod Radhoštěm
Czech republic

tel.: +420 571 665 511
fax: +420 571 665 554
e-mail: info@retigo.cz
www.retigo.com